

98 Series Technical Data

THERMAL CIRCUIT BREAKERS (PUSH TO RESET)



Issue: KUOYUH W.L. Enterprise Co.,Ltd.

Date: 2008/09/03

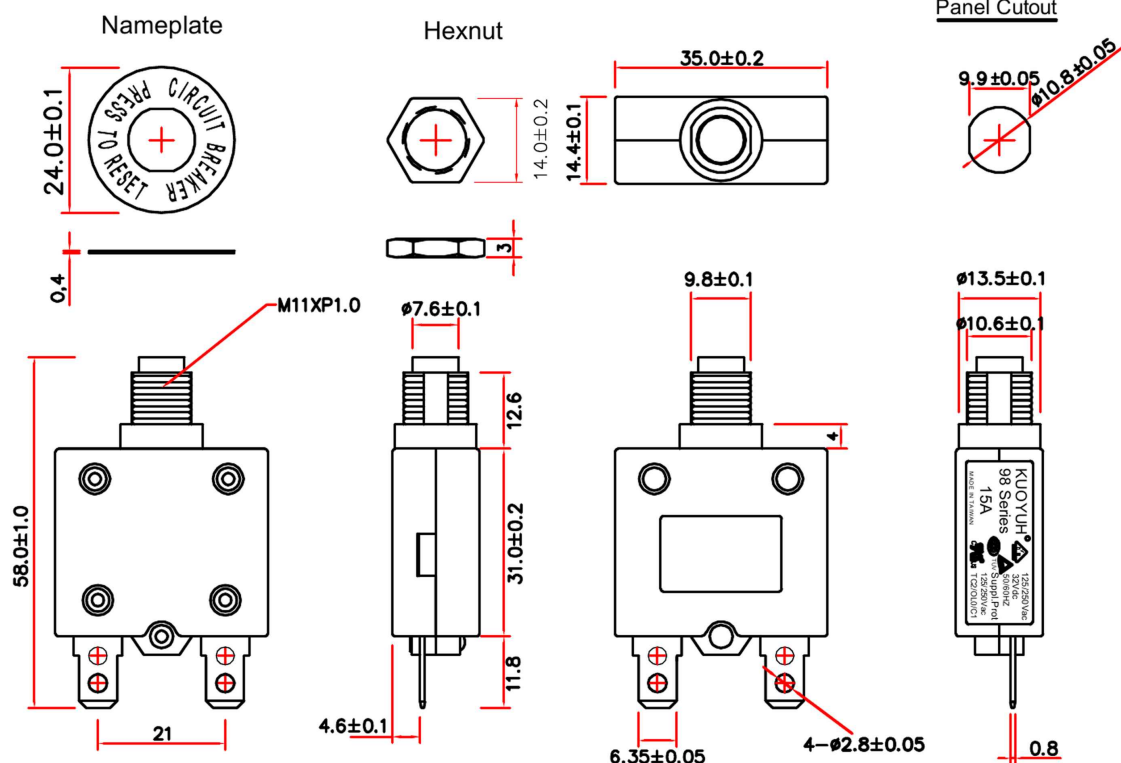
Author: Hunter Huang

Edition: F/0

98 Series Technical Data

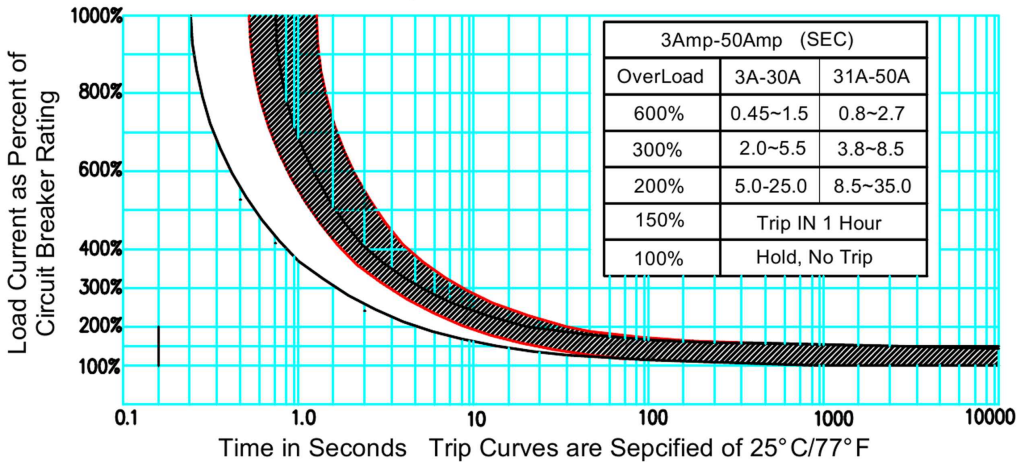
Rating: 3~40Amp
 Input Power: 125/250Vac 32Vdc
 Interruption Capacity: 1000AmpX125Vac 200AmpX250Vac
 Dielectric Strength: 1500Vac X 1Minute
 Resettable Overload Capacity: 6 Time Rated Current
 Voltage Drop: Less Than 0.25V
 Insulation Resistance: >500 M ohm
 Reset Time: Within 60sec
 Temperature Rise at Terminal Block: Less than 65° c at 100% of rated current applied continuously
 Contact Endurance: 125Vac X150% of rated current >500 cycles
 Approvals: UL cUL 3A-30A E155159(S)
 VDE 3A-16A 40010769
 Complies with Rohs

98-15-A1B14-B0B



NO	DESCRIPTION	DATE	TOLERANCE	APPROVED	CHECK	DESING	DRAWER	UNIT	mm	
5			TOLERANCE							
4			DIMENSION					SCALE	1:1	
3			XX.XX	980302	980302	980302	980302	DATE	2008/09/03	
2			XX	980302	980302	980302	980302	REV	F/0	
1			ANGLE					TITLE	SPEC.1	
			X	FILE NO	91 Series Circuit Breaker					
			X.X	KUOYUH W.L. Enterprise Co.,Ltd.				DRAWING NO	98-15-A1B14-B0B	

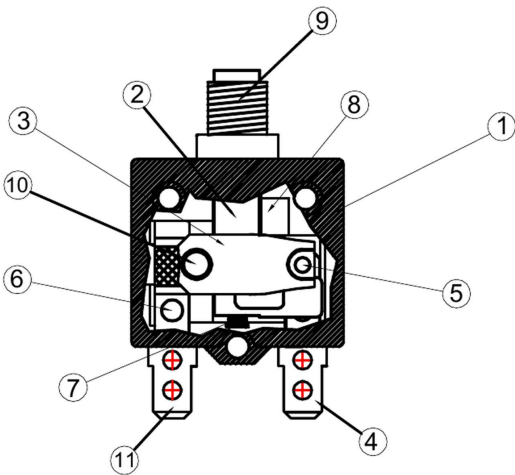
Trip Time Curves



Ambient Temperature Correction Factor

Temperature	-5°C	0°C	10°C	20°C	25°C	30°C	40°C	50°C	60°C
Factor	X1.3	X1.2	X1.1	X1.05	X1.0	X0.9	X0.8	X0.7	X0.6

The time/current the ambient temperature prevailing, In order to eliminate nuisance tripping. Please multiply the current breaker current ratings by the derating factor shown below.



Material List

No	Name	Q'ty	Material
1	Case	1 pc	Phenolic
2	Push Rod	1 pc	Phenolic
3	Bimetal	1 pc	EMS,HooD,Sumitomo
4	Terminal	1 pc	Copper alloys 0.8t
5	Contact	2 pcs	Ag-CdO
6	Rivet	5 pcs	Aluminum alloy
7	Spring	1 pc	Stainless
8	Base	1 pc	Phenolic
9	Mounting Means	1 pc	Plated metal
10	Washer	1 pc	Copper alloys 0.8t
11	Terminal	1 pc	Copper alloys 0.8t
12	Hexnut	1 pc	Plated metal
13	Knurlnut	1 pc	Plated metal
14	Nameplate	1 pc	Aluminum alloy

Complies with Rohs

5			TOLERANCE	APPROVED	CHECK	DESING	DRAWER	UNIT	mm	
4			DIMENSION TOLERANCE					SCALE	1:1	
3			XX.XX ±0.05					DATE	2008/09/03	
2			XX.X ±0.1					REV	F/0	
1			XX ±0.15					TITLE	SPEC.1	
			ANGLE TOLERANCE	FILE NO	91 Series Circuit Breaker		TITLE	SPEC.1		
			X ±1°	KUOYUH W.L. Enterprise Co.,Ltd.			DRAWING NO	98-15-A1B14-B0B		
			X.X ±0.5°							

98

Series No.

Amp Rating
 03= 3Amp
 04= 4Amp

20=20Amp
 50=50Amp

Bushing Type

Color of Button

Terminal Type

Voltage

3= 128/250V/ac
 4= 128/250V/ac, 32V/dc

Mounting Nut Type

Waterproof Type

Nameplate Type

B-Black
 R=Red
 W=White
 1=Black (w/over white print (按钮白字))
 2=Black (lamp on button) (按钮黑字)
 3=Red(lamp on button)(按钮红字)
 4=White(lamp on button)(按钮白字)

Bushing Type

Plastic	Plastic	Plastic	Plastic
P1 M11XP1.0	P2 M12XP1.0	P3 3/8" 27T	PS SNAP IN
Metel	Metel	Metel	Plastic
A1 M11XP1.0	B1 M11XP1.0	A2 M12XP1.0	KF SNAP IN

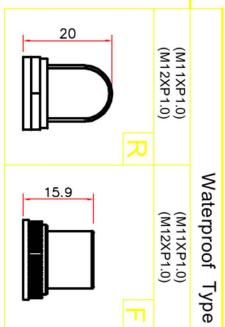
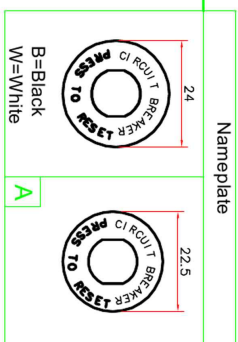
Bushing V.S Panel Hole

P1 A1 B1	P2	P3	PS KF
9.9±0.05 	10.8±0.05 	9.5 ^{+0.02} _{-0.02} 	13.8 ^{+0.2} _{-0.2}

Terminal Type

1 Straight 11.8mm 	2 90° bend up 	3 90° bend down 	4 90° bend Line pin 	5 90° bend Lead pin 	6 Straight 8.0mm 	7 90° bend up/down 	8 45° bend up 	9 45° bend down 	F Screwa #6-32 	X Straight 3.2mm
-----------------------	-------------------	---------------------	-------------------------	-------------------------	----------------------	------------------------	-------------------	---------------------	--------------------	----------------------

KUOYUH W.L. Enterprise Co., Ltd.
 98 series Thermal Circuit Breaker
 Order Guide (C/0)



Mounting Nut Type

Plastic	Plastic	Metel	Metel	Metel	Metel
P (M11XP1.0) 	Q (M12XP1.0) 	A (M12XP1.0) 	B (M11XP1.0) 	H (M12XP1.0) 	C (M12XP1.0)
Integrated Kunrnut	Kunrnut	Kunrnut	Hexnut		